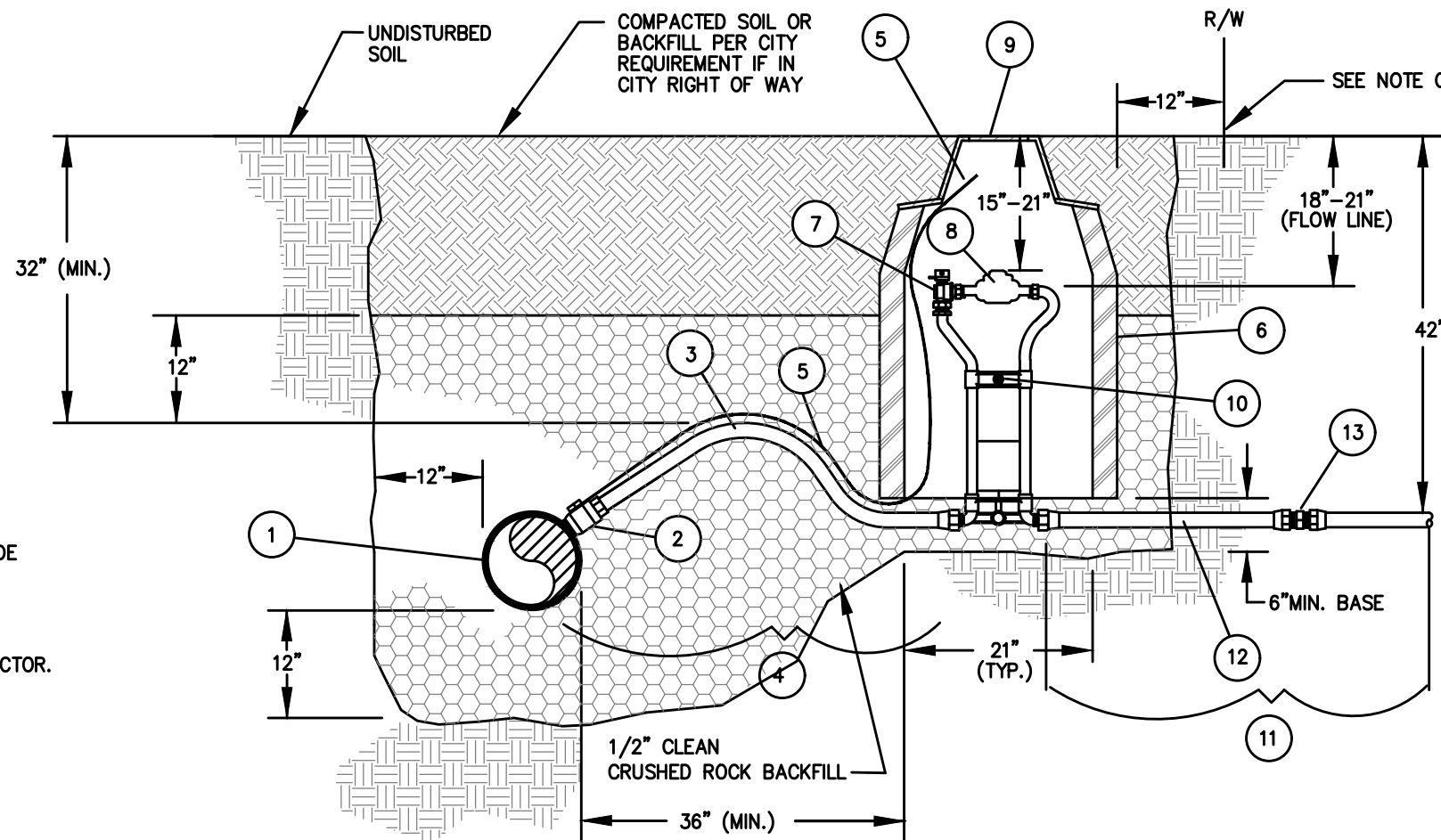
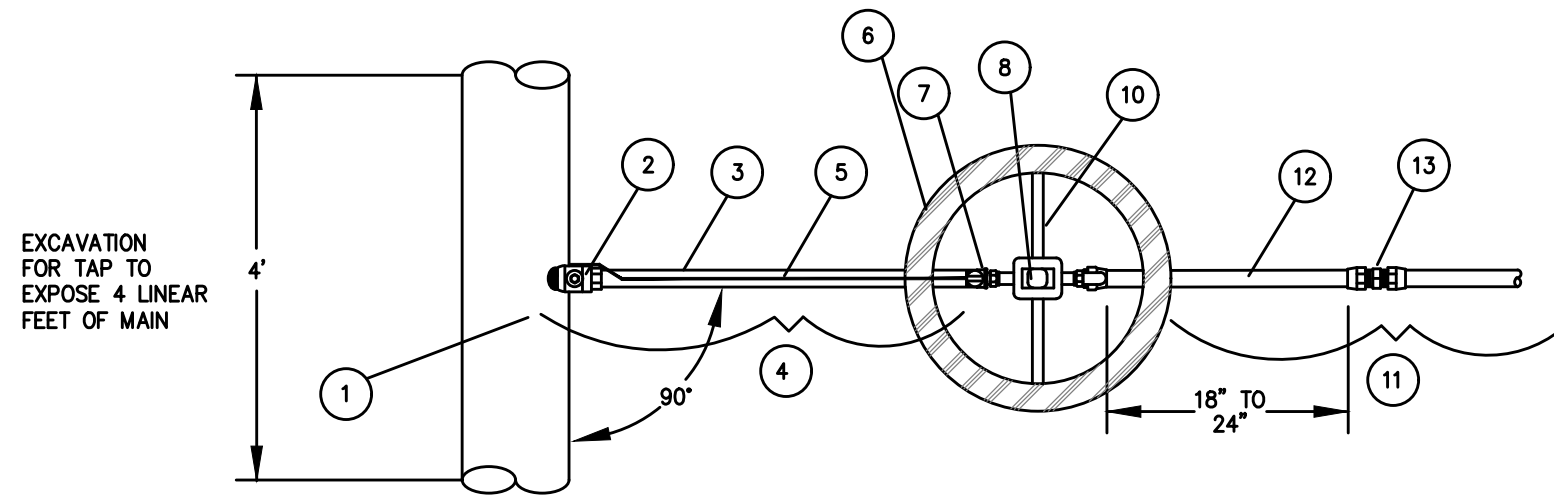


| LEGEND |                                                                     |
|--------|---------------------------------------------------------------------|
| NO.    | DESCRIPTION                                                         |
| 1      | WATER MAIN                                                          |
| 2      | CORPORATION STOP & SERVICE SADDLE (IF NEEDED)                       |
| 3      | GOOSENECK (IF COPPER)                                               |
| 4      | TYPE K SOFT COPPER OR HDPE: C901 PE4710 DR9 CTS BLUE WITH STIFFNERS |
| 5      | TRACE WIRE COPPERHEAD BLUE INSULATION                               |
| 6      | BULLET PIT (PLASTIC) 22"x36"                                        |
| 7      | METER SETTER                                                        |
| 8      | WATER METER                                                         |
| 9      | METER COVER                                                         |
| 10     | PVC STABILIZER                                                      |
| 11     | APPLICANT'S SERVICE LINE                                            |
| 12     | PER INTERNATIONAL PLUMBING CODE CTS                                 |
| 13     | TRANSITION COUPLING (IF NEEDED SEE NOTE L)                          |



NOTES:

- A. EXCAVATIONS SHALL BE IN ACCORDANCE WITH OSHA REGULATION (STANDARD - 29 CFR) SUBPART 1926.650 THROUGH 1926.652 AND APPENDICES A THROUGH F.
- B. THIS METER PIT IS NOT TO BE LOCATED IN AREA SUBJECT TO VEHICULAR OR PEDESTRAIN TRAFFIC, OR IN CONCRETE PAVEMENT
- C. IF METER IS NOT LOCATED IN RIGHT OF WAY, APPROVAL MUST BE OBTAINED FROM WATERONE.
- D. IF METER SIZE VARIES FROM THE TAP SIZE, WATERONE WILL PROVIDE ADAPTERS.
- E. WATERONE TO FURNISH ITEMS 2, 5, 6, 7, 8 & 9.
- F. ALL EXCAVATION AND INSTALLATION TO BE COMPLETED BY CONTRACTOR.
- G. UNDER NO CIRCUMSTANCE SHALL OTHER EQUIPMENT OF ANY DESCRIPTION BE INSTALLED IN THIS PIT.
- H. SETTER SHALL BE CENTERED IN PIT.
- I. DO NOT COVER COUPLINGS IN PIT.
- J. SEE SERVICE APPLICATION BOOKLET FOR DEFINITIONS, RESPONSIBILITY OF APPLICANT AND GENERAL SPECIFICATIONS.
- K. ALL REQUIREMENTS AND SPECIFICATIONS ARE SUBJECT TO CHANGE WITHOUT NOTIFICATION.
- L. IF CUSTOMER SERVICE LINE IS PE OR PEX, THE TRANSITION COUPLING IS NOT NEEDED.  
IF CUSTOMER SERVICE LINE IS METALLIC, THEN A TRANSITION FITTING SHALL BE USED AND PE WILL BE INSTALLED WITH STIFFNERS.

|                                                       |           |       |
|-------------------------------------------------------|-----------|-------|
| MANAGER OF DISTRIBUTION ENGINEERING                   | INITIALS: | DATE: |
| MANAGER OF DISTRIBUTION WATER QUALITY                 | INITIALS: | DATE: |
| MANAGER OF CONSTRUCTION MAINTENANCE VALVING & SERVICE | INITIALS: | DATE: |
| DIRECTOR OF DISTRIBUTION                              | INITIALS: | DATE: |

**WaterOne**  
Water District No. 1 of Johnson County

|                                                                                     |                                               |
|-------------------------------------------------------------------------------------|-----------------------------------------------|
| <b>1" SERVICE CONNECTION 5/8", 3/4", 1" METER</b>                                   |                                               |
| <b>STANDARD INSTALLATION</b>                                                        |                                               |
| <small>DRAWN BY: WRY/CAHM<br/>DATE: 05-20-2009<br/>DATE UPDATED: 09-21-2017</small> | <small>DWG NO.</small><br><b>ES-1823 (1")</b> |