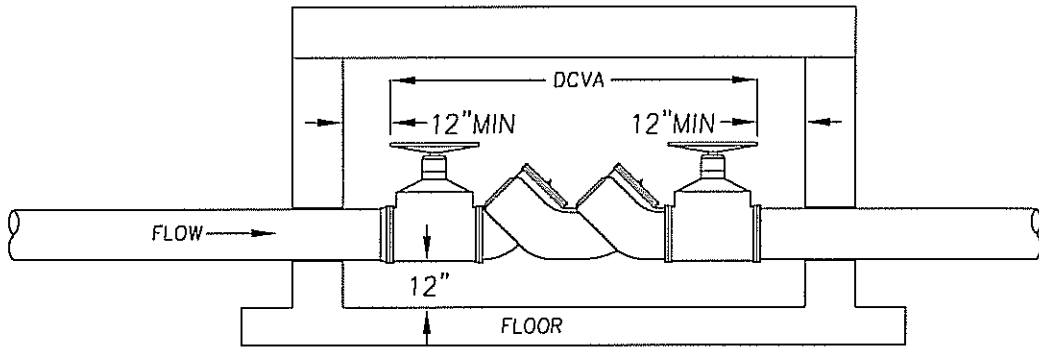


PLAN

N.T.S.



ELEVATION

N.T.S.

NOTES:

1. THIS DRAWING IS ONE EXAMPLE OF A VAULT SHOWING CLEARANCES AROUND THE DCVA AND IS NOT TO BE CONSIDERED A WATERONE STANDARD.
2. INSTALL WITH A MINIMUM OF 12 INCHES CLEARANCE IN ALL DIRECTIONS AROUND THE ASSEMBLY AND A MINIMUM OF 24 INCHES OF CLEARANCE FOR THE SIDE WHERE TESTING OCCURS.
3. VAULT, COVER, LADDER AND DRAIN SHALL BE DESIGNED BY OWNER/AGENT.
4. REQUIREMENTS AND SPECIFICATIONS ARE SUBJECT TO CHANGE WITHOUT NOTICE.

MANAGER OF DISTRIBUTION ENGINEERING	DATE:
INITIALS:	
MANAGER OF DISTRIBUTION WATER QUALITY	DATE:
INITIALS:	
MANAGER OF CONSTRUCTION MAINTENANCE VALVING & SERVICE	DATE:
INITIALS:	
DIRECTOR OF DISTRIBUTION	DATE:
INITIALS:	

WaterOne
Water District No.1 of Johnson County

**DOUBLE CHECK VALVE ASSEMBLY
(DCVA) VAULT DETAIL
FOR FIRE SERVICES**

DRAWN BY: WIT
DATE: 02-13-12

DWG NO.
ES-1814

P:\MAPS\ENGINE\STANDARDS\ENGINEERING STANDARDS\COMPONENT DRAWINGS\ES-1809 (DOUBLE CHECK DETECTOR ASSEMBLY) .dwg